

ACOUSTIC EMISSIONS TEST

Serial No: 00001 **Model Name:** TC-2U50PD8 **Date:** 2007/05/21
Stage: B-TEST **Environment :** 25°C **Inspector:** JONAS

1. Specification:

None spec

2. Test Condition:

AC Input: 115VAC

Frequency: 60Hz

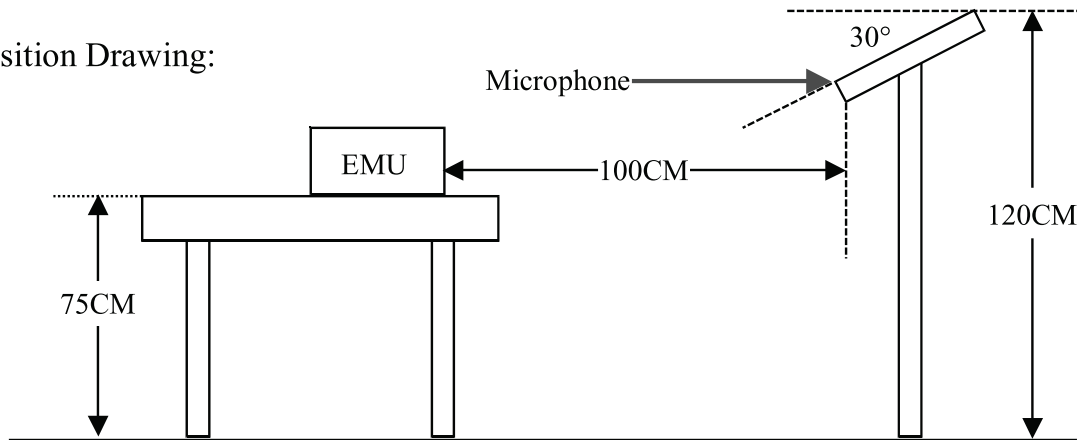
Ambient Temp: 25.0°C

Relative Humidity: 50%R.H.

Background Noise: 15.2dB.

+5V(A)	+12V1(A)	+12V2(A)	-12V(A)	+3.3V(A)	+5Vsb(A)	+12V3(A)	Remark
0.5	0.2	0.2	0	0.5	0	0.2	Min Load
2.36	2.12	2.12	0.07	2.84	0.36	2.12	20%
4.72	4.24	4.24	0.14	5.67	0.72	4.24	40%
7.09	6.35	6.35	0.21	8.51	1.08	6.35	60%
9.45	8.47	8.47	0.28	11.34	1.44	8.47	80%
11.81	10.59	10.59	0.35	14.18	1.80	10.59	Max Load

Test Position Drawing:

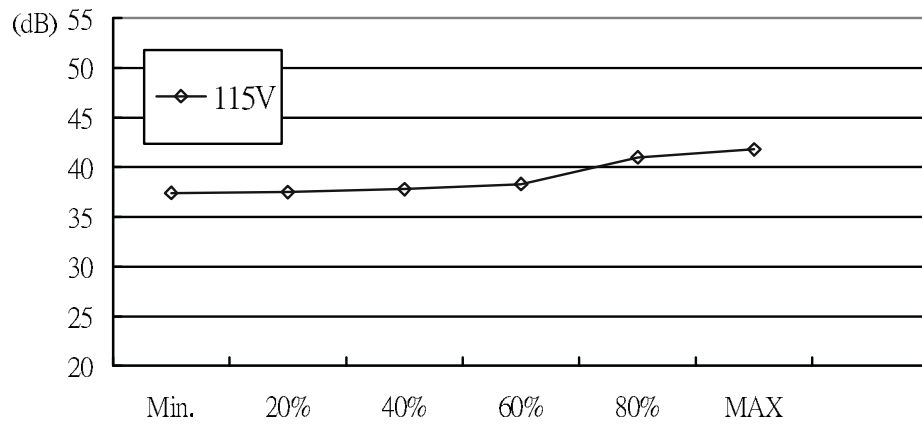


*Warm Up Time: 15 ~ 20 Minutes / Load Condition

3-1. Test Record:

Vin/Fin	Load	Length	After Duration	SPEC.	Noise AVG.	TestResult
115Vac 60Hz	Min.	100(cm)	15~20(Minutes)	*	37.4dB	Ref
	20%				37.5dB	Ref
	40%				37.8dB	Ref
	60%				38.3dB	Ref
	80%				41.0dB	Ref
	Max				41.8dB	Ref

3-2. Test Graph:



4. Test Result:

Ref